





HANDGUN

Striker or Hammer
One gun two options




G9HSP

READINESS	CALIBER
 Ready for production Under planning Under planning	9×19 mm NATO 40 SW 45 ACP

9×19 MM MODEL	BARREL LENGTH
 STANDARD COMPACT	≈ 4,5" ≈ 3,7"

TYPE	EFFECTIVE RANGE
 STANDARD COMPACT	50m 30m

SIZE	WEIGHT
 207×135×38 mm 187×118×38 mm	815g 750g



9x19 mm NATO



17 ROUND MAGAZINE



40 S&W



15 ROUND MAGAZINE



45 ACP



13 ROUND MAGAZINE

ADVANTAGES:

- Patented replaceable trigger system
- Fiberglass reinforced polymer frame
- High degree steel fluted barrel
- Decocker and triplex safety system



REPLACEABLE TRIGGER SYSTEM



L/M/S Custom backstraps

HANDGUN

One gun two options
Replaceable firing
Striker or Hammer system



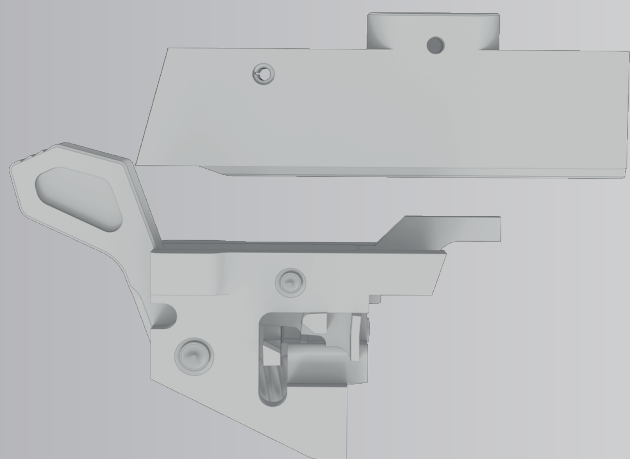
G9HSP



HAMMER TYPE



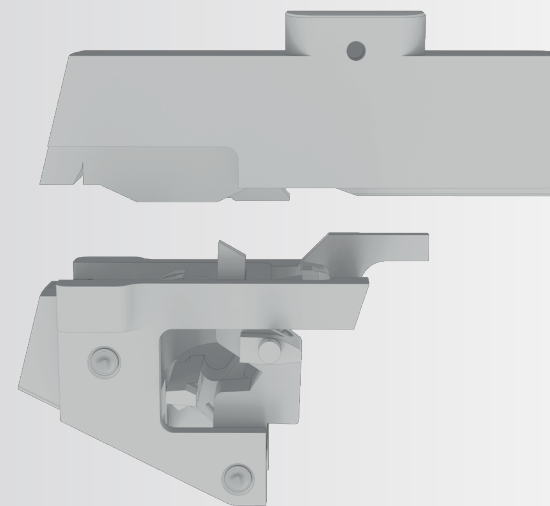
Trigger pull Hammer DA 5000g/SA 2500G
conversion in 30 seconds



STRIKER TYPE



Trigger pull Striker DA 5000g/SA 2500g
conversion in 30 seconds





SUBMACHINE GUN

COMPATIBLE MAGAZINE
WITH THE HANDGUN




G9SMG

READINESS	CALIBER
 Ready for production	9×19 mm NATO
Under planning	45 ACP
Under planning	40 SW

MODEL	BARREL LENGTH
 STANDARD	≈ 10"
SHORT	≈ 8"

TYPE	EFFECTIVE RANGE
 STANDARD 9×19	100m
SHORT 9×19	80m

SIZE	WEIGHT
 750×190×52 mm	3100g
700×190×52 mm	2900g



9×19 mm NATO



19 ROUND MAGAZINE



40 S&W



33 ROUND MAGAZINE



45 ACP



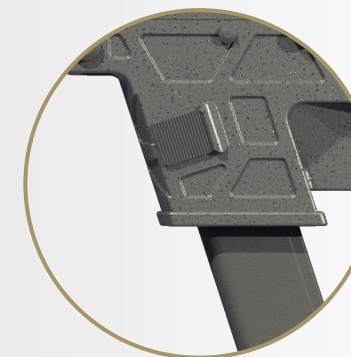
50 ROUND MAGAZINE

ADVANTAGES:

Ergonomic grip; Replaceable forestock, folding and telescopic buttstock; Integrated suppressor in forestock; Flash hider; 4 direction Picatinny rail; Replaceable magazine holder for caliber changing; Changeable firing mechanism in this weapon family; Ambidextrous controls; Easy caliber change; Modified blow back system;



SUBMACHINE GUN




ASSAULT RIFLE

EASY CALIBER CHANGE



G224AR

READINESS	CALIBER
 Ready for production	5.56×45
Under planning	7.62×39
Under planning	6.8×43

MODEL	BARREL LENGTH
 STANDARD	≈ 14"
SHORT	≈ 9"

TYPE	EFFECTIVE RANGE
 STANDARD 5.56×45	600m
SHORT 5.56×45	500m

SIZE	WEIGHT
 850×190×52 mm	3100g
725×190×52 mm	2900g



5.56×45 NATO



30 ROUND MAGAZINE



7.62×39 RUSSIAN



30 ROUND MAGAZINE



6.8×43 U.S.



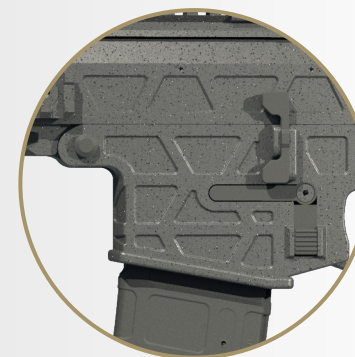
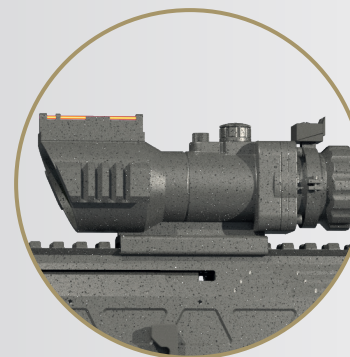
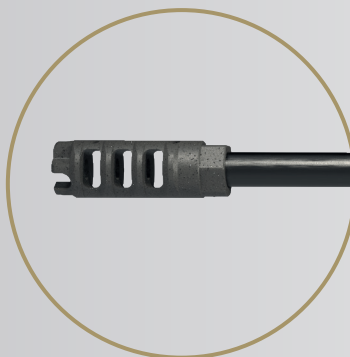
30 ROUND MAGAZINE

ADVANTAGES:

Ergonomic grip; Replaceable forestock, folding and telescopic buttstock; Flash hider; 4 direction NATO rail; Replaceable magazine holder for caliber changing; Changeable firing mechanism in this weapon family; Ambidextrous controls; Easy caliber change; Short stroke gas piston and rotating bolt system; Gas tube regulation; NATO and Russian ammunition;



ASSAULT RIFLE



BATTLE RIFLE



G308BR

READINESS	CALIBER
 Ready for production	7.62×51

MODEL	BARREL LENGTH
 STANDARD	≈ 20" ≈ 16"

TYPE	EFFECTIVE RANGE
 STANDARD 7.62×51	800m

SIZE	WEIGHT
 1030×190×52 mm	3600g 3300g



7.62×51 NATO



10 ROUND MAGAZINE



20 ROUND MAGAZINE

ADVANTAGES:

Ergonomic grip; Replaceable forestock, folding and telescopic buttstock; Muzzle brake; 4 direction NATO rail; Changeable firing mechanism in this weapon family; Ambidextrous controls; Short stroke gas piston and rotating bolt system; Gas tube regulation;



BATTLE RIFLE



LIGHT MACHINE GUN




G224 LMG

READINESS	CALIBER
 Ready for production	5.56 × 45

MODEL	BARREL LENGTH
 STANDARD	≈ 20"

TYPE	EFFECTIVE RANGE
 STANDARD	600m

SIZE	WEIGHT
 1190mm/ 950mm	7500g



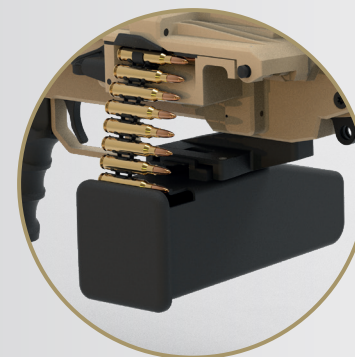
5.56×45 NATO



60 ROUND MAGAZINE



LIGHT MACHINE GUN

**ADVANTAGES:**

Ergonomic grip; Replaceable forestock, folding and telescopic buttstock; Muzzle brake; 4 direction NATO rail; Changeable firing mechanism in this weapon family; Ambidextrous controls; Short stroke gas piston and rotating bolt system; Gas tube regulation; Easy barrel change; Close and open bolt system; Adjustable gas system;

LIGHT MACHINE GUN



G224 LMG

READINESS	CALIBER
 Ready for production	5.56×45

MODEL	BARREL LENGTH
 STANDARD	≈20"

TYPE	EFFECTIVE RANGE
 STANDARD	600m

SIZE	WEIGHT
 1190mm/ 950mm	7500g



5.56×45 NATO



60-100-150 ROUND MAGAZINE



60 ROUND MAGAZINE



LIGHT MACHINE GUN

**ADVANTAGES:**

Ergonomic grip; Replaceable forestock, folding and telescopic buttstock; Muzzle brake; 4 direction NATO rail; Changeable firing mechanism in this weapon family; Ambidextrous controls; Short stroke gas piston and rotating bolt system; Gas tube regulation; Easy barrel change; Close and open bolt system; Adjustable gas system;


MACHINE GUN



READINESS	CALIBER
 Ready for production	7.62×51

MODEL	BARREL LENGTH
 STANDARD	≈22"

TYPE	EFFECTIVE RANGE
 STANDARD	800m

SIZE	WEIGHT
 1080×190×98mm	8000g



7.62×51 NATO



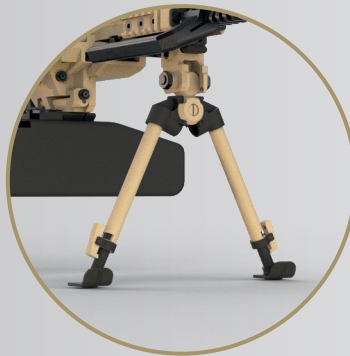
100 ROUND



200 ROUND



MACHINE GUN



ADVANTAGES:

Ergonomic grip; Replaceable forestock, folding and telescopic buttstock; Muzzle brake; 4 direction NATO rail; Changeable firing mechanism in this weapon family; Ambidextrous controls; Long stroke gas piston and rotating bolt system; Gas tube regulation; Easy barrel change; Close and open bolt system; Adjustable gas system;


GRENADE LAUNCHER


Standalone or attached under a rifle




G40GL

READINESS	CALIBER
 Ready for production Under planning	40×46 Cal. 12

MODEL	BARREL LENGTH
 Standard	≈ 12" ≈ 5"

TYPE	EFFECTIVE RANGE
 Standard 40×46 Standard Cal. 12	350m 50m

SIZE	WEIGHT
 700×150×65 mm 200×50×40 mm	1900g 1000g



40×46 GRENADE

Smoke grenade
Signalling and illumination
grenade
Standard HE grenade



CAL. 12

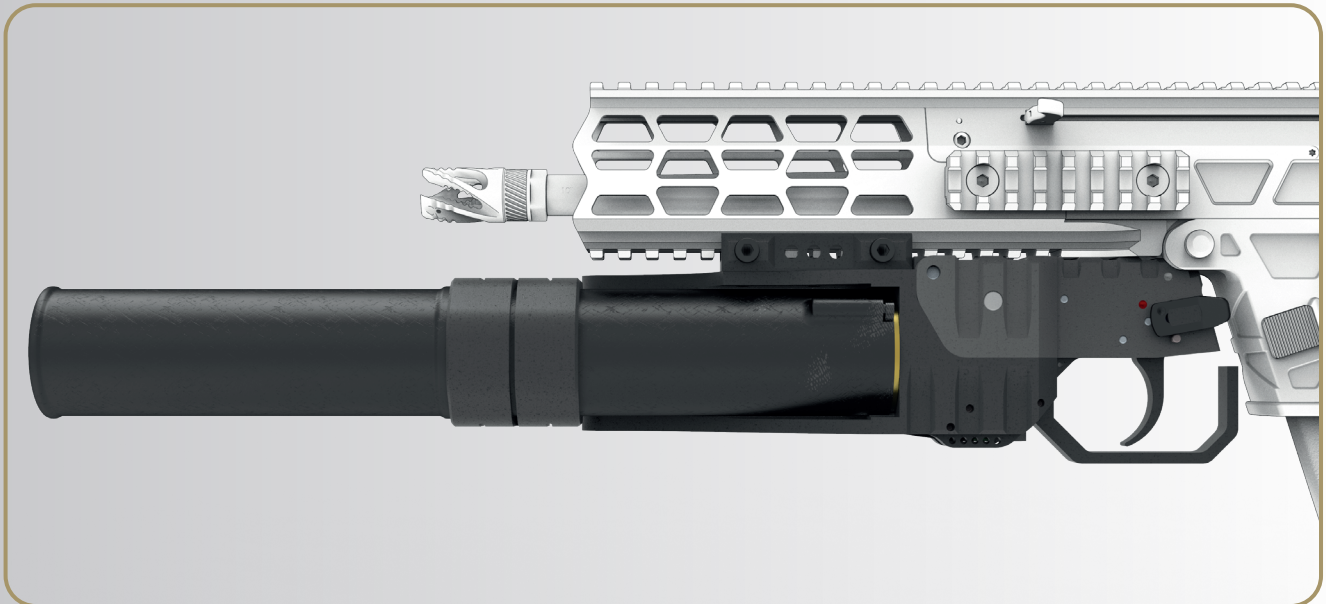
Rubber
Bean bag
Tear gas
Taser
Flashing
Door open

ADVANTAGES:

Ergonomic grip; Detachable buttstock; Mountable on a rifle;



GRENADE LAUNCHER





Gestamen Kutatás Fejlesztés Ltd.

HUNGARY

6640 Csongrád, Jókai Mór utca 14.

HU27968754

Invented and manufactured in Hungary

2023 All rights reserved